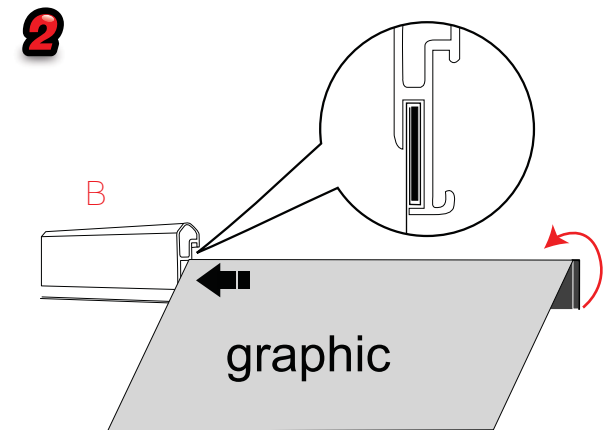
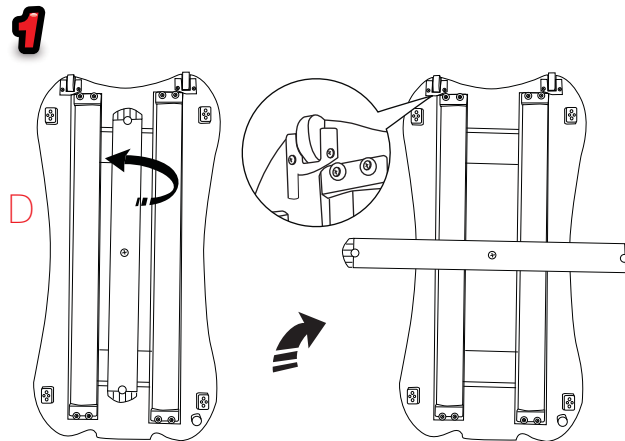
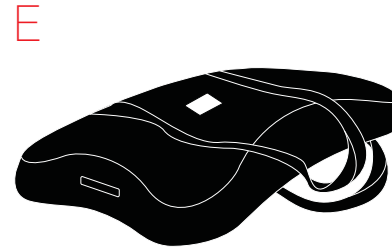
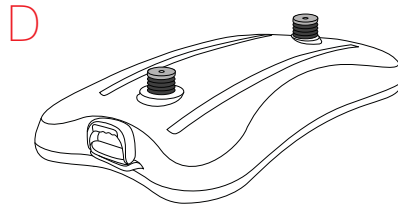
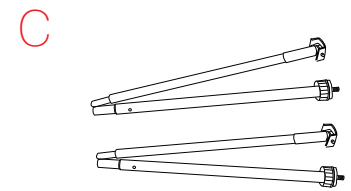
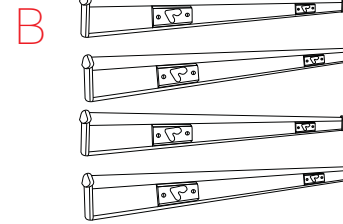
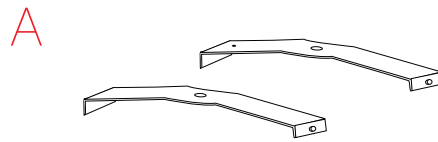


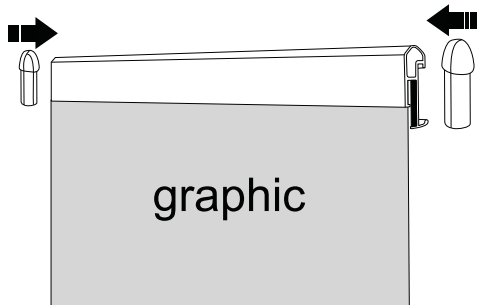
Hurricane



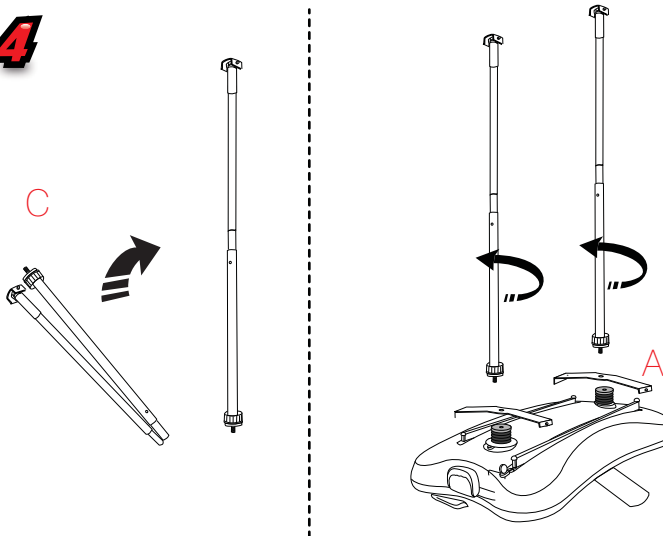
Hardware Dimensions: 2210(h)x1000(w)x790(d)mm
Weight: 14.5kg
Weight with water: 46.6kg
Base Capacity : 28L
Visible Graphic Size: 1950(h) x800(w)mm

Hurricane

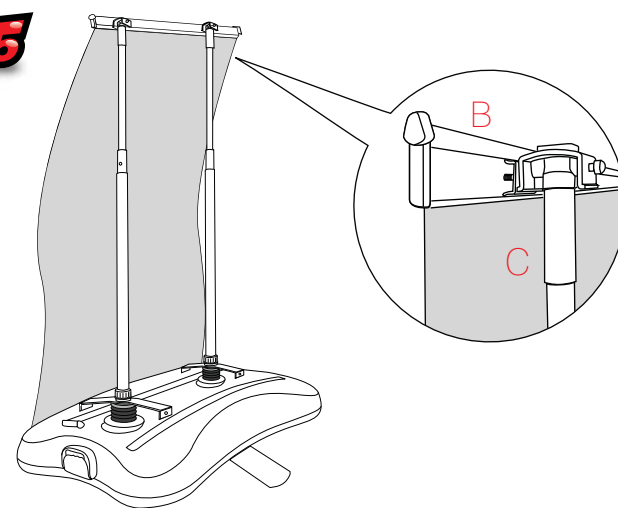
3



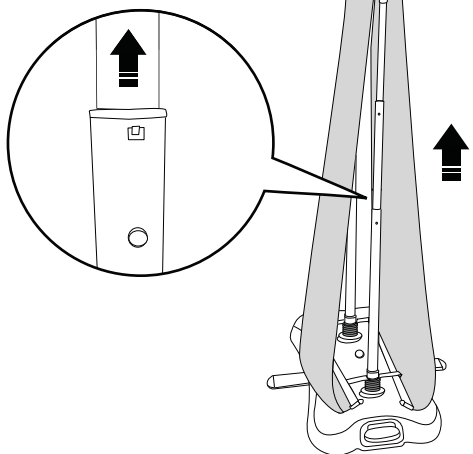
4



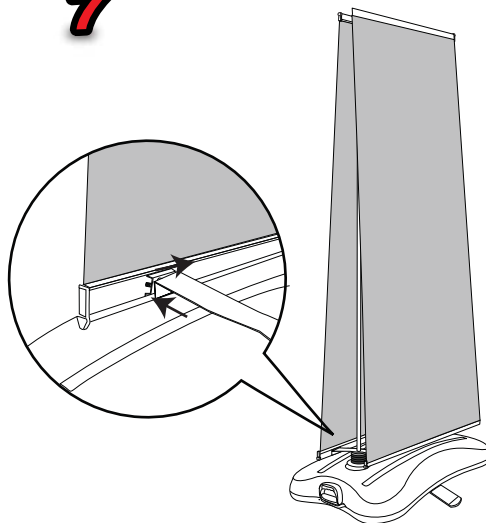
5



6



7



8

