

IPS Exhibition Stand

Design Brief: A contemporary looking design to suit a 3m x 2m corner stand booth space.

The stand had to be modular, self-build and easy to transport. The design proposal included an easy to assemble aluminium frame structure with SEG printed fabric panels.

The capability of mounting a large flat screen to the side wall was specified in the customer brief. The stand had to be capable of converting to a straight backwall stand to suit an 4m x 2m space.

A backlit LED fabric panel was added to enhance the presentation of the company Logo.



3 x 2 Meter Corner



JA1803

IPS
3 x 2 Meter Corner Display
05 January 2018





JA1803

IPS
3 x 2 Meter Corner Display
05 January 2018

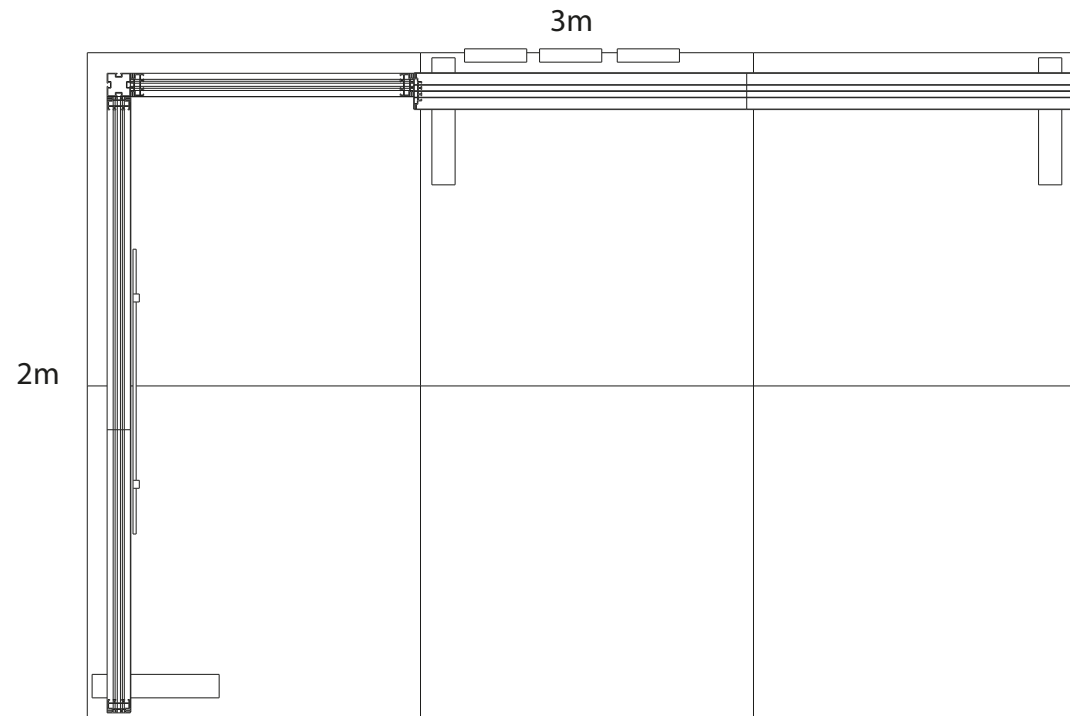




JA1803

IPS
3 x 2 Meter Corner Display
05 January 2018





JA1803

IPS
3 x 2 Meter Corner Display
05 January 2018



4 x 2 Meter Peninsula



JA1803

IPS
4 x 2 Meter Corner Peninsula
05 January 2018





JA1803

IPS
4 x 2 Meter Corner Peninsula
05 January 2018

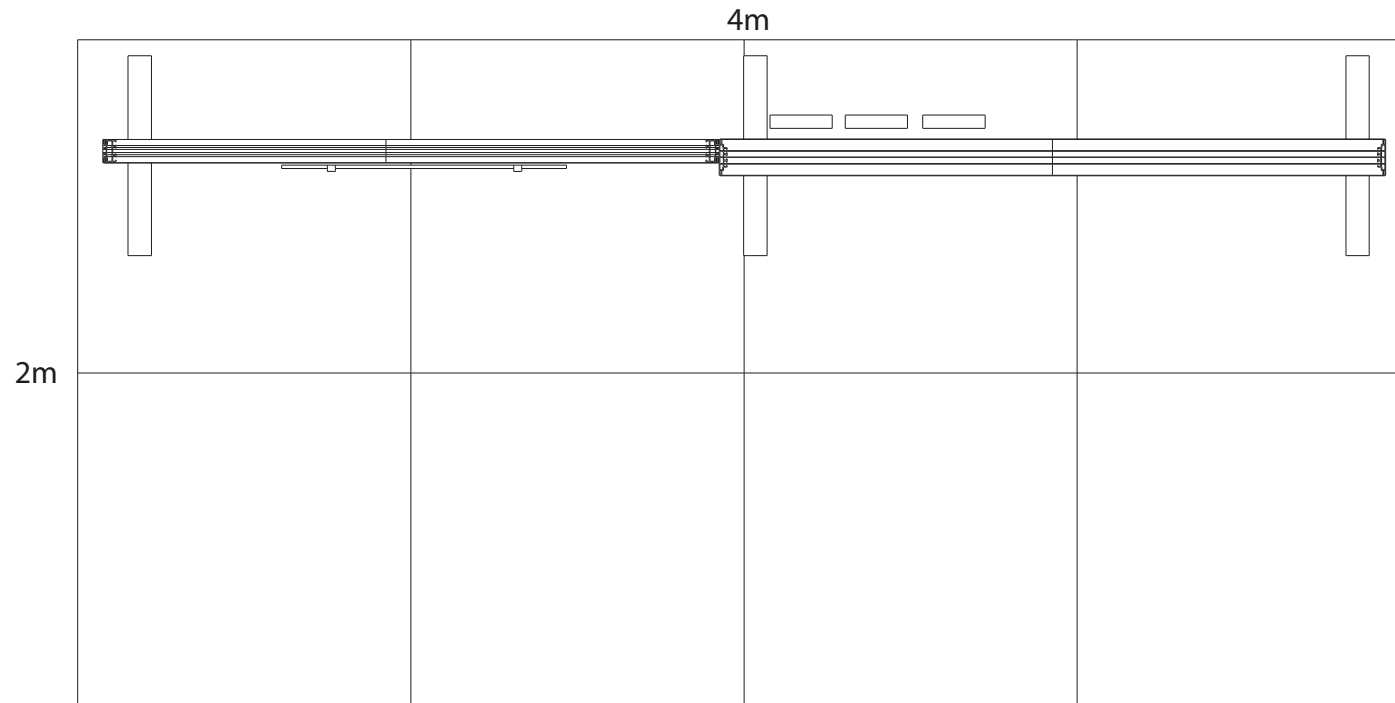




JA1803

IPS
4 x 2 Meter Corner Peninsula
05 January 2018





JA1803

IPS
4 x 2 Meter Corner Peninsula
05 January 2018

